

## Package Contents



Mount Arm



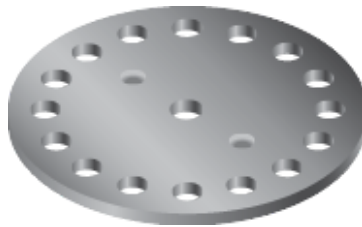
Universal Ball Mount



Bracket Mount



Rotation Collar



Stacking Washer



Ball Mount Washer

## Supported Products

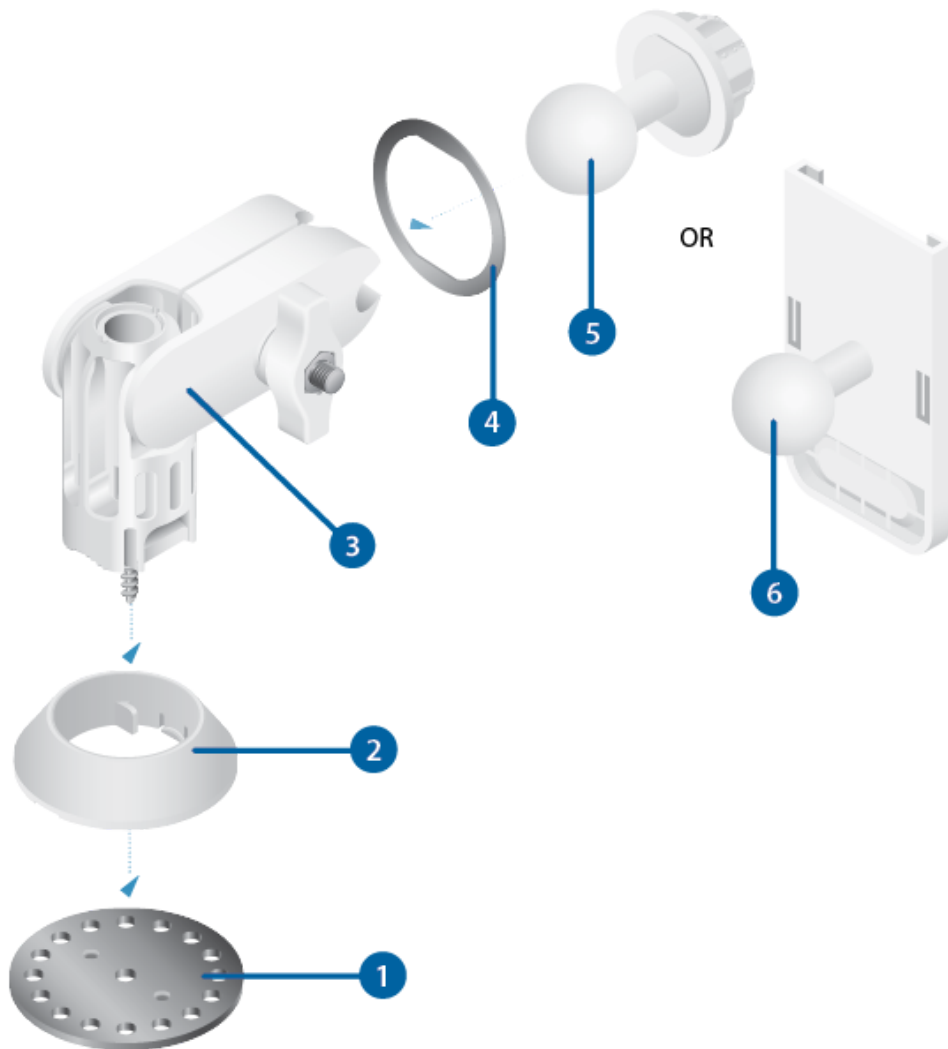
The Quick Mount is compatible with the GigaBeam™, LTU™ Lite, NanoBeam®, NanoStation®, NanoStationloco, and UniFi® Building-to-Building Bridge.

- NBE-2AC-13, NBE-M5-16, UBB, or GBE using the Universal Ball Mount
- NBE-5AC-Gen2 or NBE-M5-19 using the Universal Ball Mount and Metal Washer
- loco5AC, NS-5AC, or LTU-Lite using the Ball Mount Assembly

## Quick-Mount Quick Start Guide



## Hardware Overview



**1** Stacking Washer

Part of the Quick-Mount assembly that locks the Rotation Collar into place.

## Quick-Mount Quick Start Guide

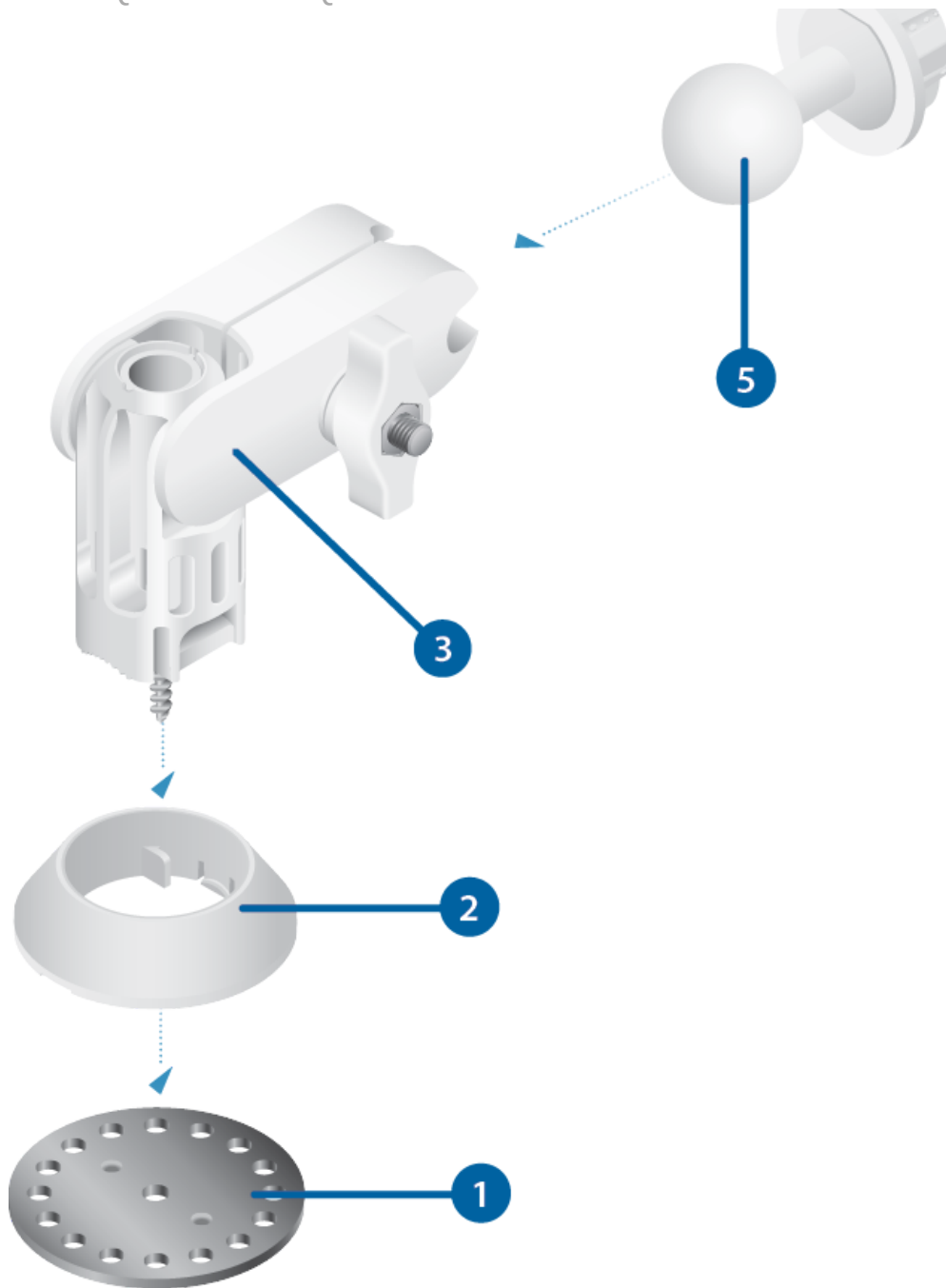
	Part of the Quick-Mount assembly that stabilizes the base of the Mount Arm.
<b>3</b>	Mount Arm
	Adjustable mount compatible with a variety of Ubiquiti CPE devices.
<b>4</b>	Ball Mount Washer
	Used in conjunction with the Universal Ball Mount when installing the NBE-5AC-Gen2 or NBE-M5-19.
<b>5</b>	Universal Ball Mount
	Used when installing the NBE-5AC-Gen2, NBE-2AC-13, NBE-M5-19, NBE-M5-16, UBB, or GBE.
<b>6</b>	Bracket Mount
	Used when installing the loco5AC, NS-5AC, or LTU-Lite.

## Models

- NBE-2AC-13
- NBE-M5-16
- UBB
- GBE

## Components

## Quick-Mount Quick Start Guide



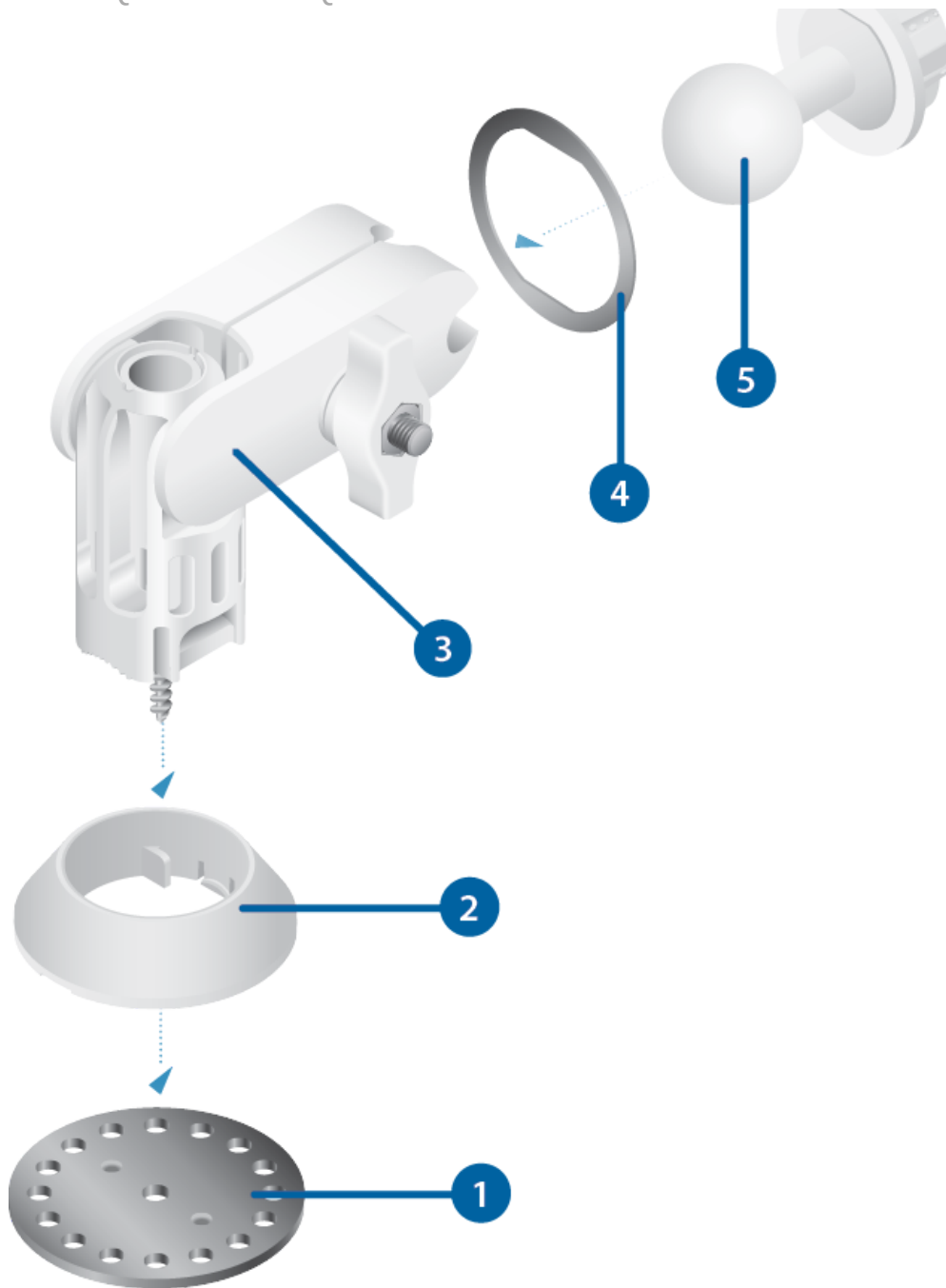
Note: The device's Lock Ring will also be used.

### Models

- NBE-5AC-Gen2
- NBE-M5-19

### Components

## Quick-Mount Quick Start Guide



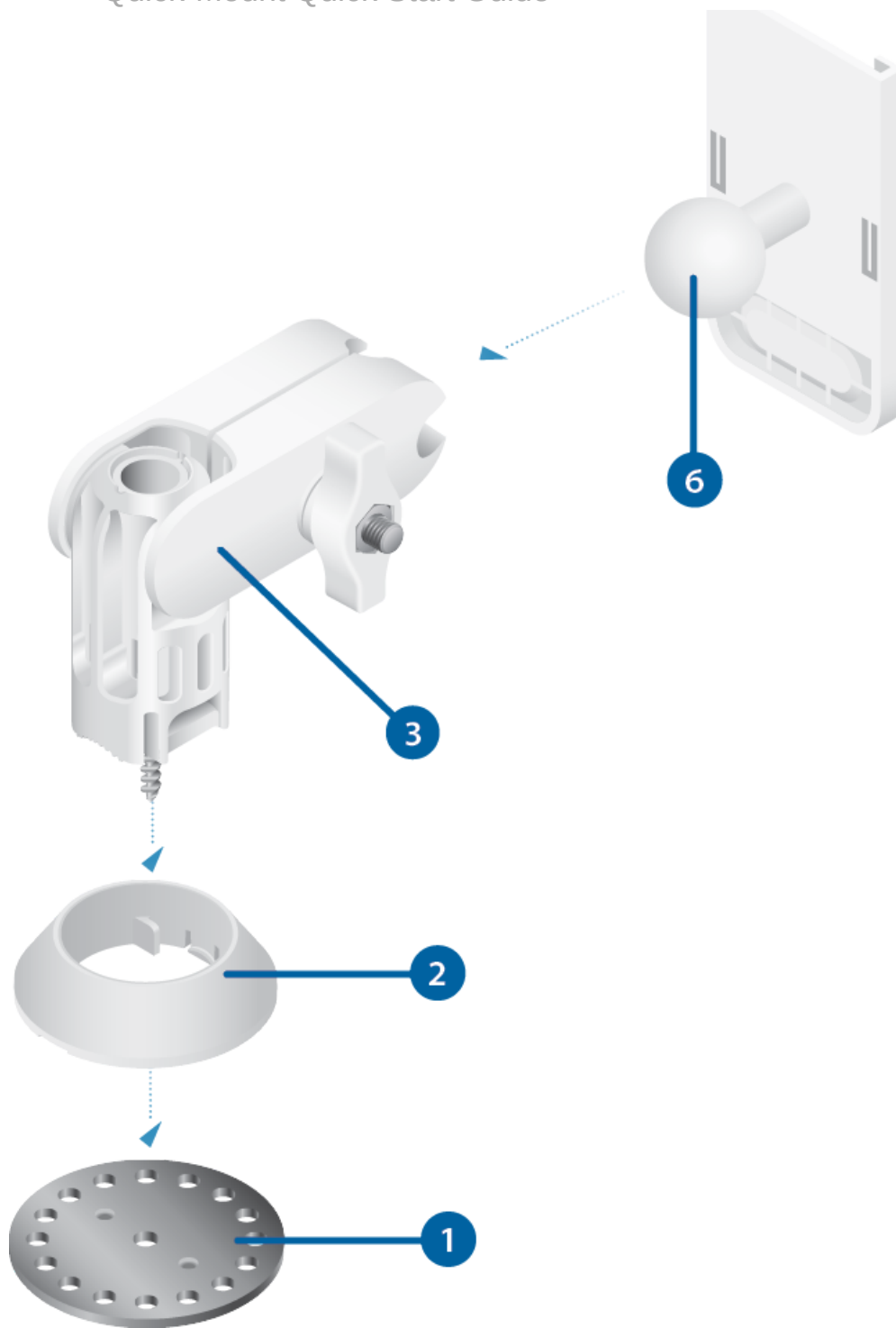
Note: The device's Lock Ring will also be used.

### Models

- loco5AC
- NS-5AC
- LTU-Lite

### Components

## Quick-Mount Quick Start Guide



## Installation

### Before You Begin

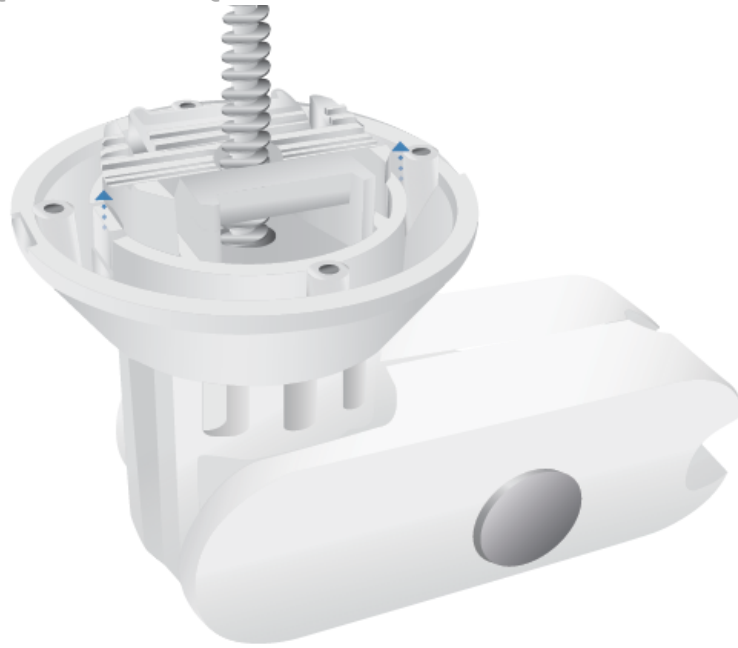
Insert the Mount Arm into the Rotation Collar and press until it is locked in.

## Quick-Mount Quick Start Guide

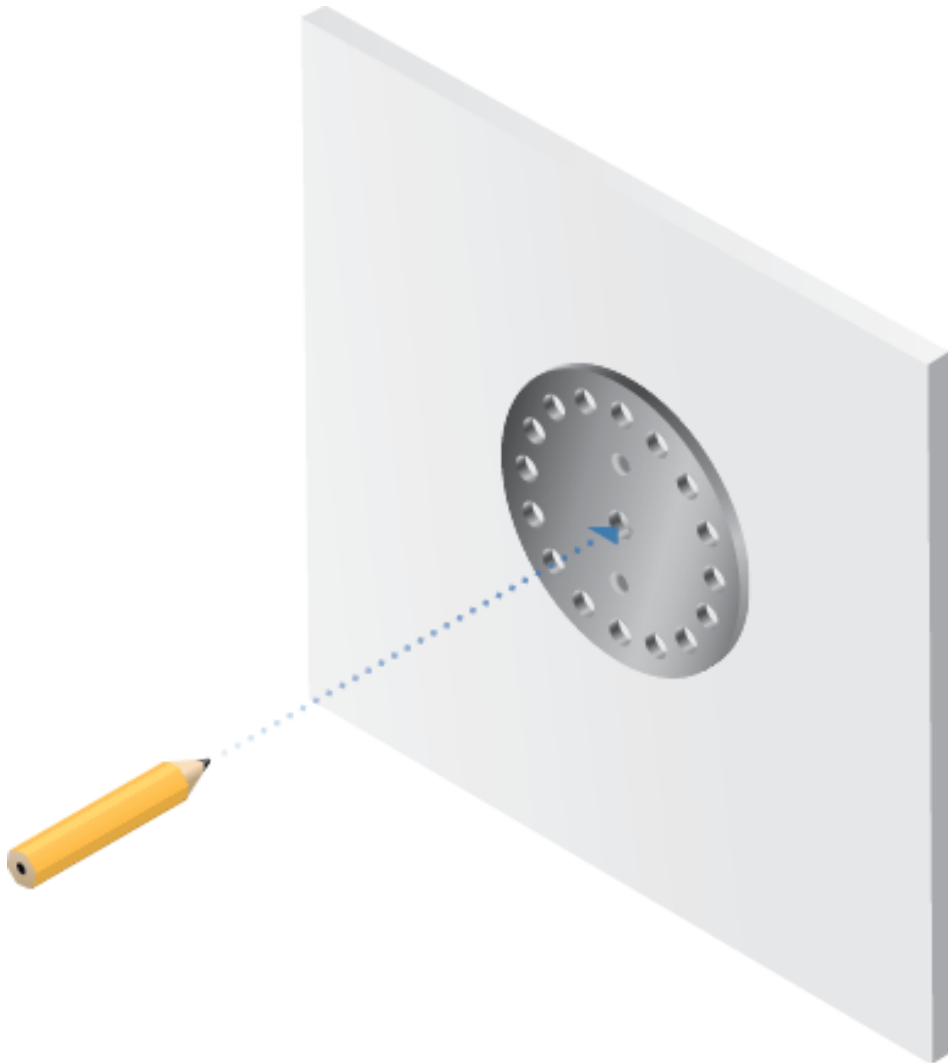


**Note:** The screw end should extend past the Rotation Collar for installation, as shown below.

# Quick-Mount Quick Start Guide



1.



Optional

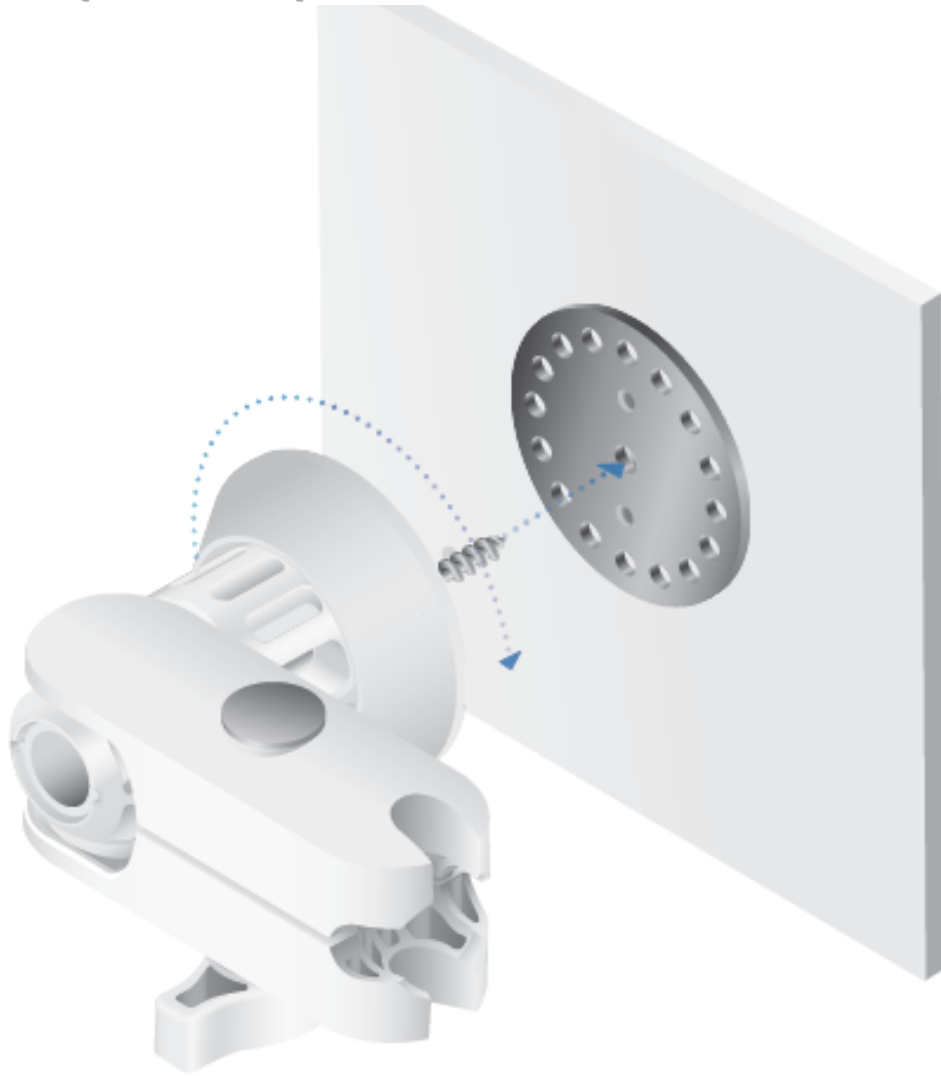


Quick-Mount Quick Start Guide



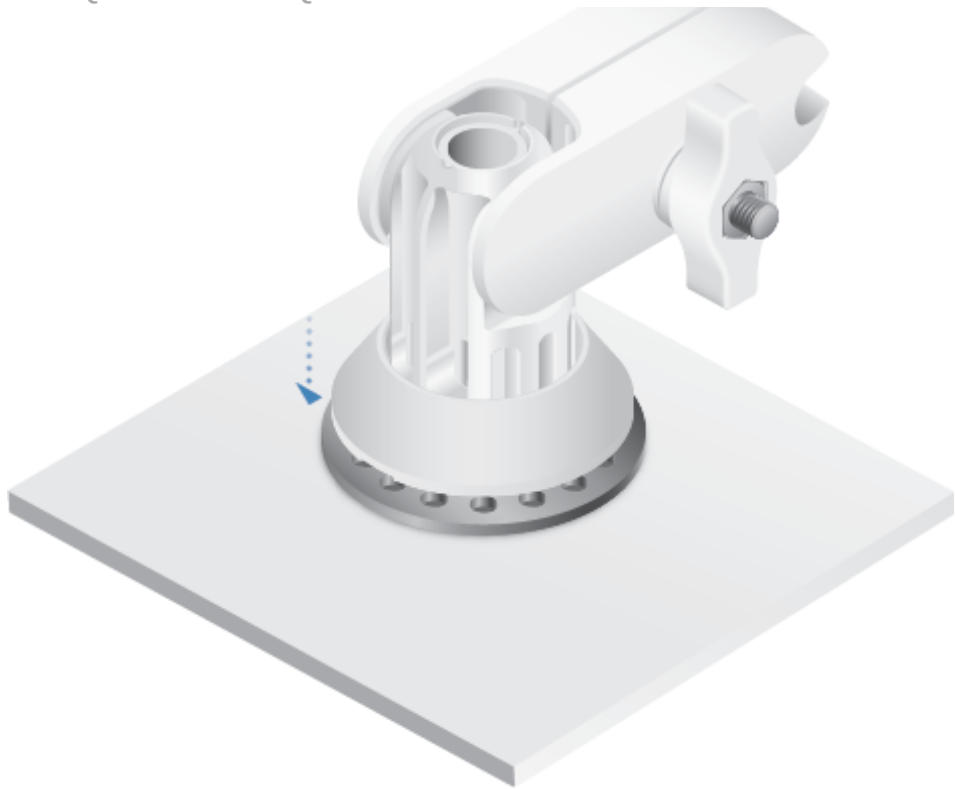
2.

# Quick-Mount Quick Start Guide

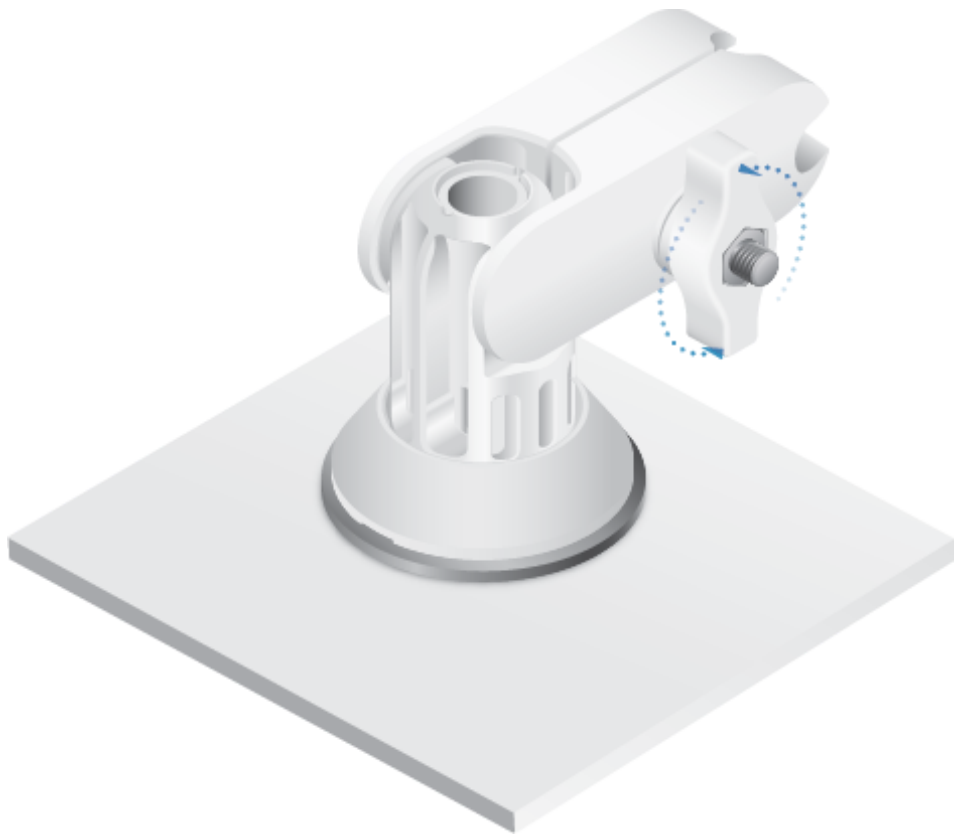


3.

# Quick-Mount Quick Start Guide



4.



5.

## Quick-Mount Quick Start Guide



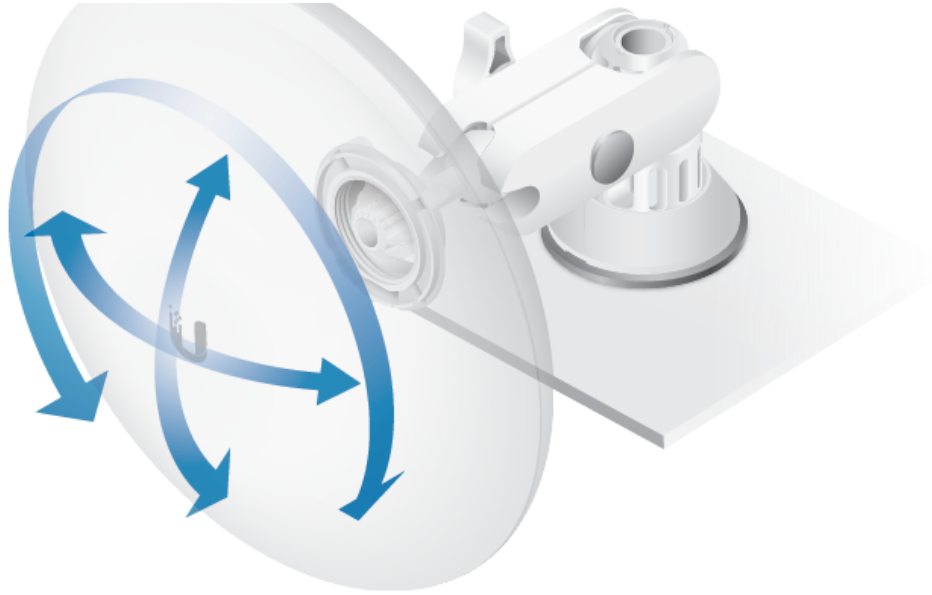
**Note:** Add the Ball Mount Washer when installing the NBE-5AC-Gen2 or NBE-M5-19.

OR

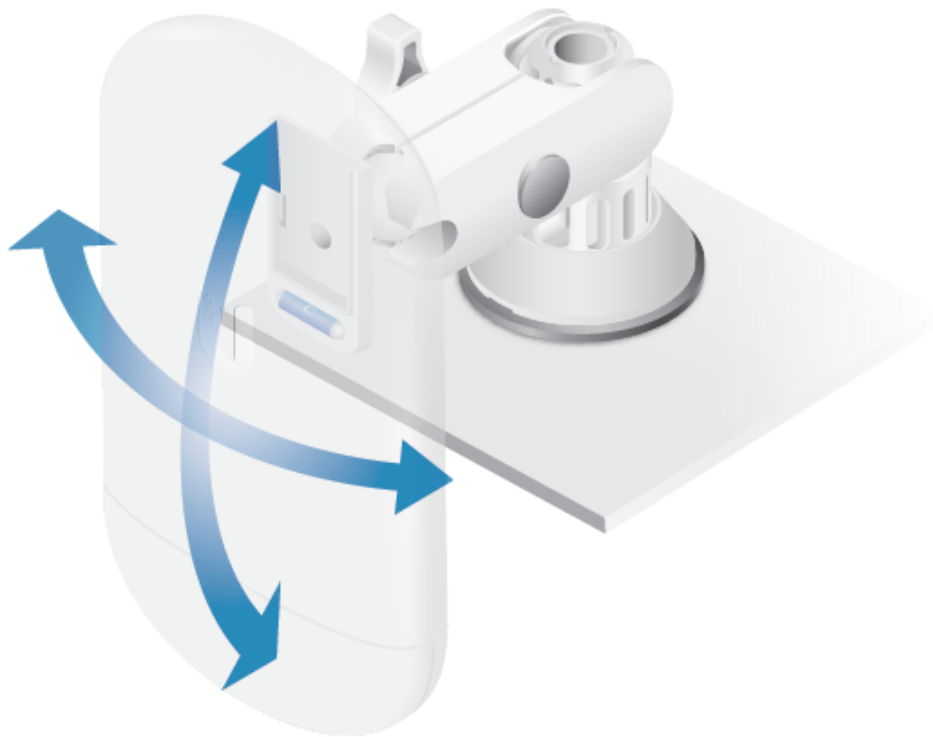


6.

Quick-Mount Quick Start Guide



OR

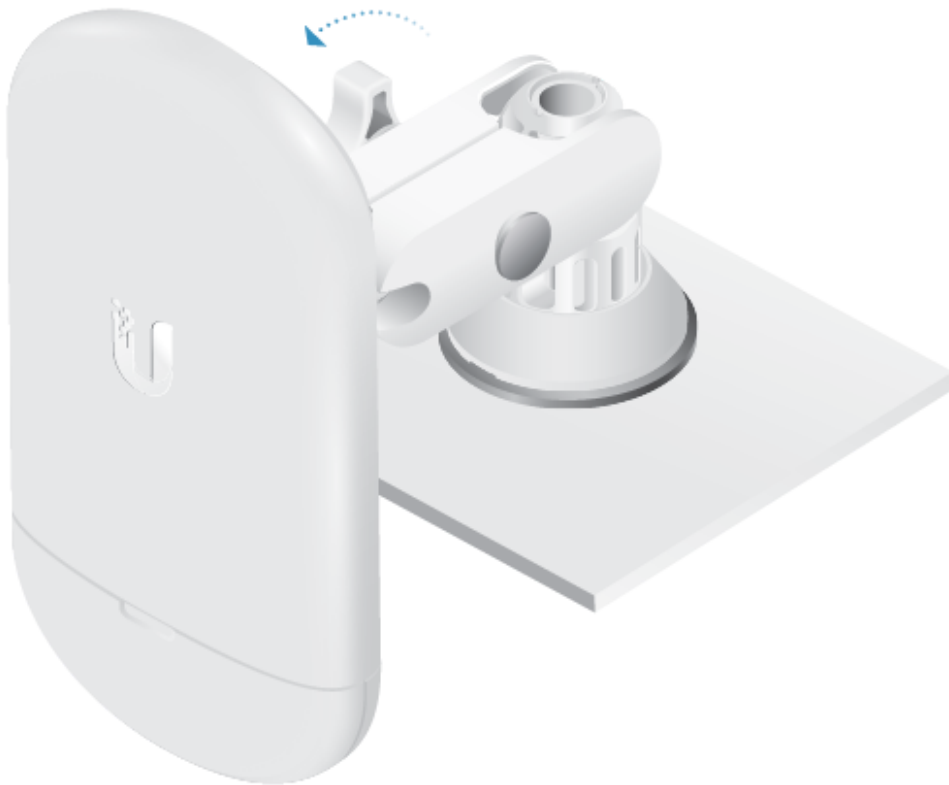


7.

## Quick-Mount Quick Start Guide



OR



## Specifications

Quick-Mount
-------------

## Quick-Mount Quick Start Guide

Dimensions	104 x 122 x 81 mm (4.09 x 4.80 x 3.19")
Weight	375 g (0.83 lb)
Device Support Ball Mount Assembly Universal Ball Mount Universal Ball Mount with Ball Mount Washer	loco5AC, NS-5AC, or LTU-Lite NBE-2AC-13, NBE-M5-16, UBB, or GBE NBE-5AC-Gen2, NBE-M5-19

## Limited Warranty

[ui.com/support/warranty](http://ui.com/support/warranty)

The limited warranty requires the use of arbitration to resolve disputes on an individual basis, and, where applicable, specify arbitration instead of jury trials or class actions.

## Declaration of Conformity

## Online Resources

